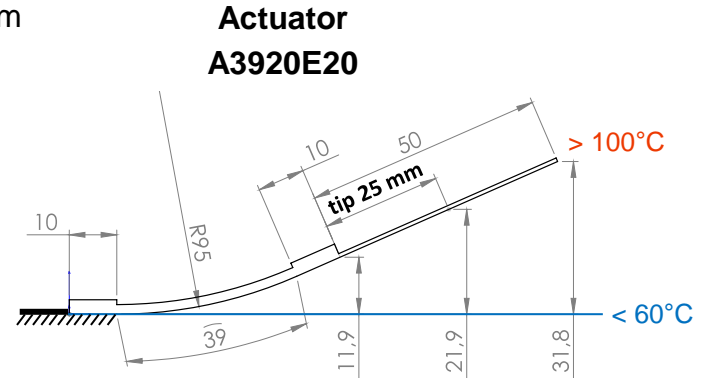


Sample Actuator *Curve*® plugged A3920E20

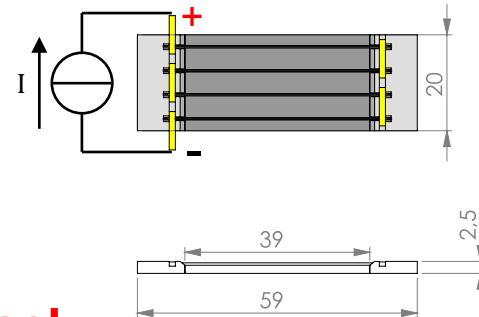


- Active length: **39 mm**
- Module size: **59 mm x 20 mm x 2.5 mm**
- Bending: **medium (E20)**
- Weight: **3.2 g + hosting structure**
- Hosting structure: **steel + rivets, tip 25 mm**
size 94 x 20 x 0.45 mm³
- Load range with high cycling stability (> 300.000)
 - at module edge: **710 g**
 - at 25 mm: 470 g**
 - at 50 mm: **350 g**

- Operating mode: **plugged**
- Thermal activation by: **resistive heating**
- Electronic circuit: **all wires in series**
- Resistivity: **0.8 Ohm**
- Full Activation (DC): **e.g. 3 A for 15 s / 4 A for 4 s / 5 A for 1.3 s**



M3920E20 – Actuator Module only

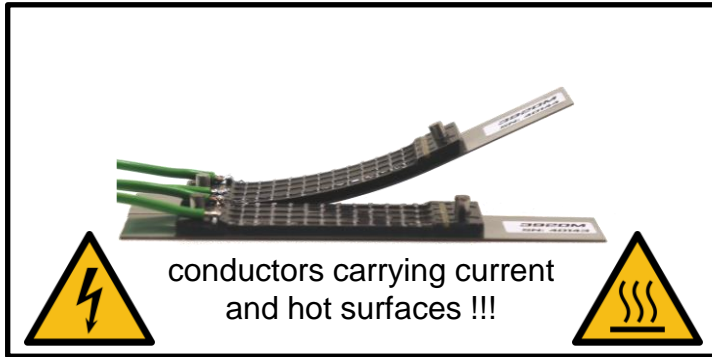


application notes on the back

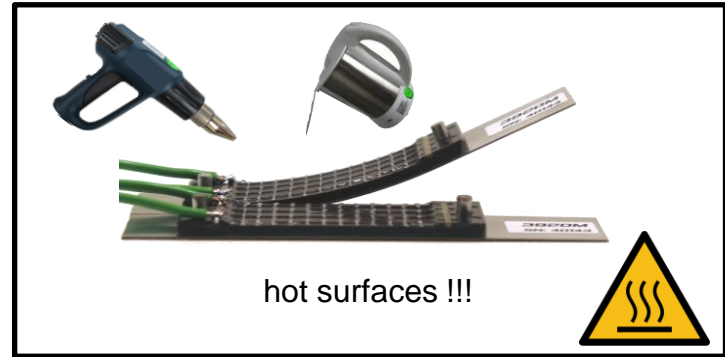
Sample Actuator *Curve*® – application notes



Curve® plugged



Curve® unplugged



Activation by heating current / max time:
e.g. 3A/15s; 4A/4s; 5A/1.3s
for a cooled down actuator in calm air
at room temperature

Begin of actuation:	~ 60°C
End of actuation:	~ 110°C
Maximum temperature:	130°C permanent
	> 150°C short-term

- **Current and time period only as a guideline for a cooled down actuator in calm air at room temperature:**
 - **Risk of overheating for subsequent activation** without adaption of current and time period
- To avoid damage do not exceed maximum temperature either electrical or thermal
- Uncontrolled electrical heating can lead to overheating → **risk of fire!**
- Operate exclusively with controllable power source in the SELV (safe extra-low voltage) range