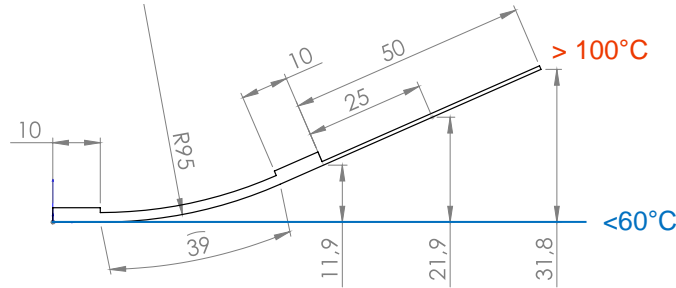


Datasheet Actuation Module: *Curve*® unplugged 3940M

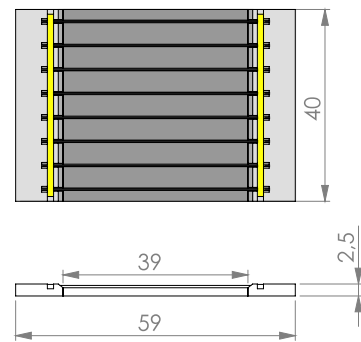


- Active length: **39 mm**
- Module size: **59 mm x 40 mm x 2.5 mm**
- Bending: **medium (M)**
- Module weight: **6.4 g**
- Example hosting structure: stainless steel 0.45 mm
- Load range with minor reduction of deflection and high cycling stability (>200 000)
 - at module edge: 404 g
 - at 25 mm: 268 g
 - at 50 mm: 200 g
- Operating mode: **unplugged**
- Thermal activation by: external heating
- Possible external heating: convection, radiation, conduction
- Maximum temperature: 130°C

Hosting structure and actuation module



Actuation module



© CompActive GmbH

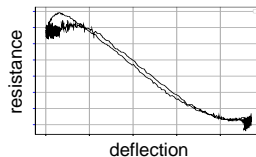
All values are only estimations!

Customized high performance actuation modules by ...



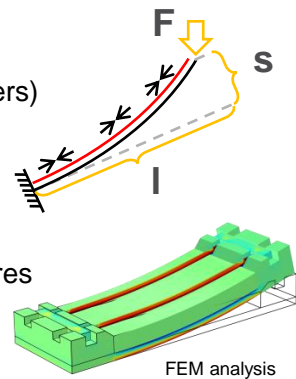
... high-tech solutions

- reliable load transfer
- proven cycle stability
- injection molded frame elements
- special SMA material specifications
- high temperature FRP
- self-sensing capability



... individual design

- substrate (metals, polymers)
- size
- deflection
- load / cycles
- wire material / temperatures
- electrical resistance



... customized mechanical fixation

- adhesive films
- liquid adhesives
- bolts, rivets, screws
- plug-on

... various electrical connection

- crimping
- soldering
- plugging in
- welding



© CompActive GmbH