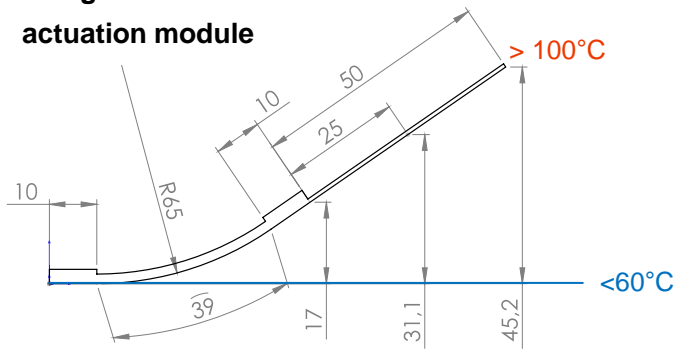


# Datasheet Actuation Module: *Curve*® unplugged 3940H

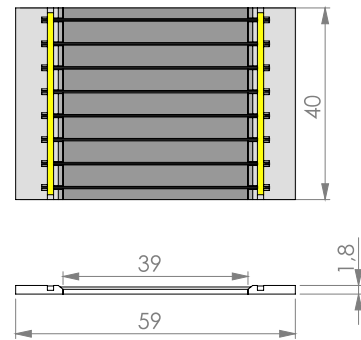


- Active length: **39 mm**
- Module size: **59 mm x 40 mm x 1.8 mm**
- Bending: **high (H)**
- Module weight: **4.6 g**
- Example hosting structure: stainless steel 0.35 mm
- Load range with minor reduction of deflection and high cycling stability (>200 000)
  - at module edge: **324 g**
  - at 25 mm: **214 g**
  - at 50 mm: **160 g**
- Operating mode: **unplugged**
- Thermal activation by: **external heating**
- Possible external heating: **convection, radiation, conduction**
- Maximum temperature: **130°C**

## Hosting structure and actuation module



## Actuation module



© CompActive GmbH

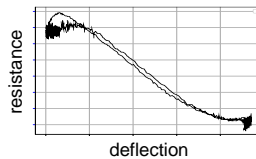
All values are only estimations!

# Customized high performance actuation modules by ...



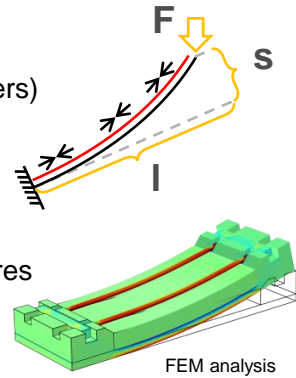
## ... high-tech solutions

- reliable load transfer
- proven cycle stability
- injection molded frame elements
- special SMA material specifications
- high temperature FRP
- self-sensing capability



## ... individual design

- substrate (metals, polymers)
- size
- deflection
- load / cycles
- wire material / temperatures
- electrical resistance



## ... customized mechanical fixation

- adhesive films
- liquid adhesives
- bolts, rivets, screws
- plug-on

## ... various electrical connection

- crimping
- soldering
- plugging in
- welding



© CompActive GmbH