

Datasheet Actuation Module: *Curve*® unplugged 3920L

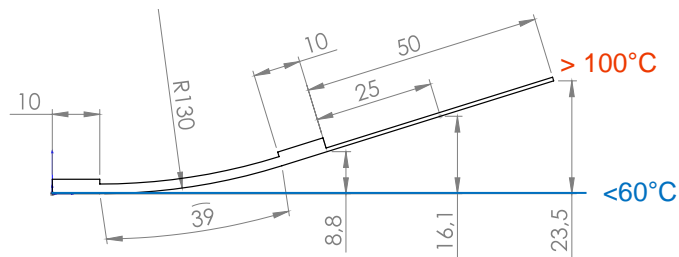


- Active length: **39 mm**
- Module size: **59 mm x 20 mm x 3.3 mm**
- Bending: **low (L)**
- Module weight: **4.3 g**

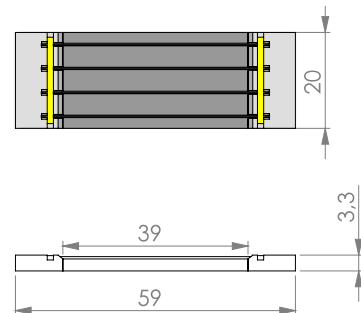
Hosting structure and actuation module

- Example hosting structure: stainless steel 0.55 mm
- Load range with minor reduction of deflection and high cycling stability (>200 000)

at module edge:	303 g
at 25 mm:	201 g
at 50 mm:	150 g



Actuation module



- Operating mode: **unplugged**
- Thermal activation by: external heating
- Possible external heating: convection, radiation, conduction
- Maximum temperature: **130°C**

© CompActive GmbH

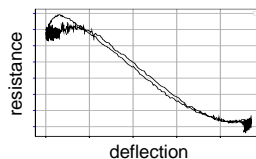
All values are only estimations!

Customized high performance actuation modules by ...



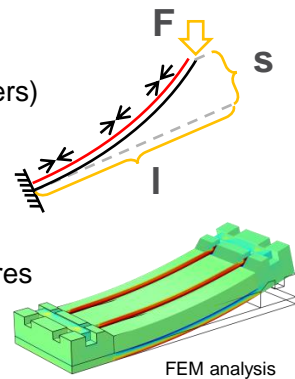
... high-tech solutions

- reliable load transfer
- proven cycle stability
- injection molded frame elements
- special SMA material specifications
- high temperature FRP
- self-sensing capability



... individual design

- substrate (metals, polymers)
- size
- deflection
- load / cycles
- wire material / temperatures
- electrical resistance

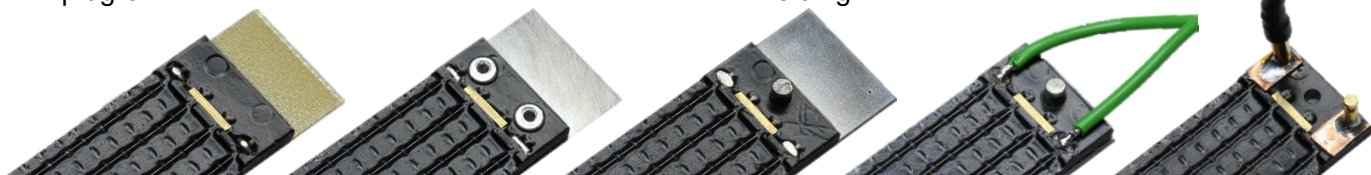


... customized mechanical fixation

- adhesive films
- liquid adhesives
- bolts, rivets, screws
- plug-on

... various electrical connection

- crimping
- soldering
- plugging in
- welding



© CompActive GmbH

www.CompActive.de

www.CompActive.de