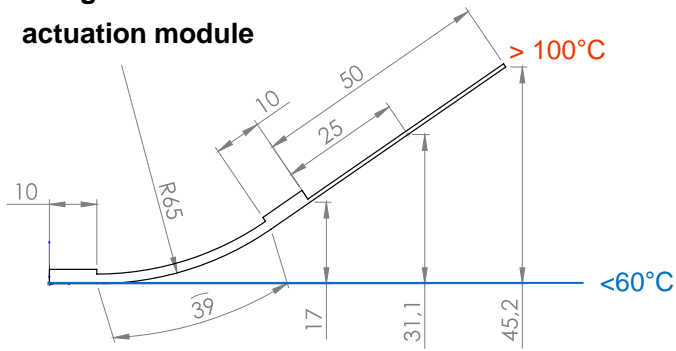


# Datasheet Actuation Module: *Curve*® unplugged 3920H

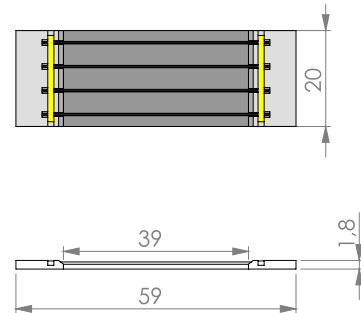


- Active length: **39 mm**
  - Module size: **59 mm x 20 mm x 1.8 mm**
  - Bending: **high (H)**
  - Module weight: **2.3 g**
- 
- Example hosting structure: stainless steel 0.35 mm
  - Load range with minor reduction of deflection and high cycling stability (>200 000)
    - at module edge: 162 g
    - at 25 mm: 107 g
    - at 50 mm: 80 g
- 
- Operating mode: **unplugged**
  - Thermal activation by: external heating
  - Possible external heating: convection, radiation, conduction
  - Maximum temperature: 130°C

## Hosting structure and actuation module



## Actuation module



© CompActive GmbH

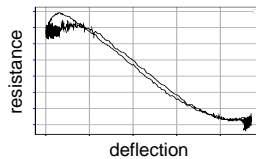
All values are only estimations!

# Customized high performance actuation modules by ...



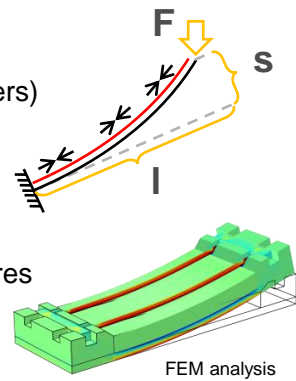
## ... high-tech solutions

- reliable load transfer
- proven cycle stability
- injection molded frame elements
- special SMA material specifications
- high temperature FRP
- self-sensing capability



## ... individual design

- substrate (metals, polymers)
- size
- deflection
- load / cycles
- wire material / temperatures
- electrical resistance



## ... customized mechanical fixation

- adhesive films
- liquid adhesives
- bolts, rivets, screws
- plug-on

## ... various electrical connection

- crimping
- soldering
- plugging in
- welding



© CompActive GmbH

www.CompActive.de

www.CompActive.de