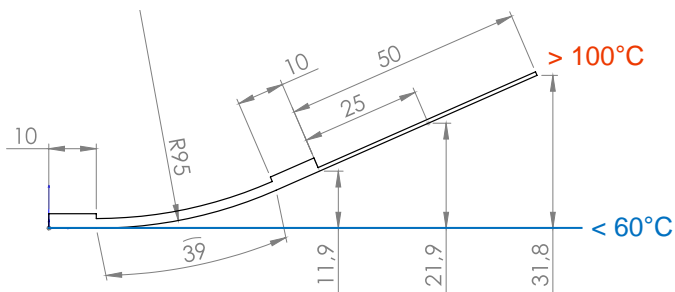


Datasheet Actuation Module: *Curve*® unplugged 3920E20

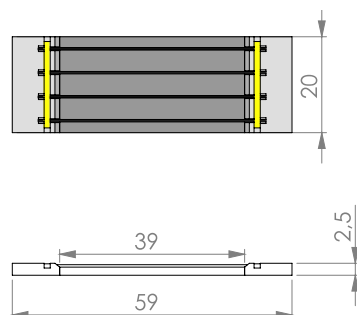


- Active length: **39 mm**
- Module size: **59 mm x 20 mm x 2.5 mm**
- Bending: **medium (E20)**
- Module weight: **3.2 g**
- Example hosting structure: stainless steel 0.45 mm
- Load range with high cycling stability (> 300.000)
 - at module edge: **710 g**
 - at 25 mm: **470 g**
 - at 50 mm: **350 g**

Hosting structure and actuation module



Actuation module



- Operating mode: **unplugged**
- Thermal activation by: **external heating**
- Possible external heating: **convection, radiation, conduction**
- Maximum temperature:
 - 130°C permanent**
 - >150°C short-term**

© CompActive GmbH

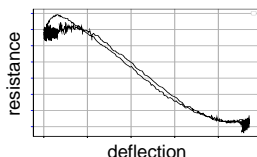
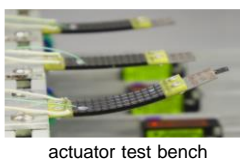
All values are only estimations!

Customized high performance actuation modules by ...



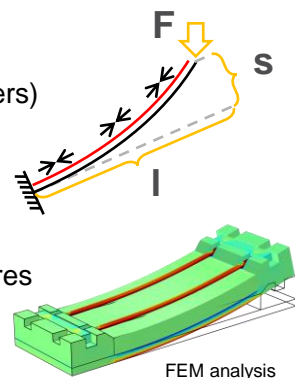
... high-tech solutions

- reliable load transfer
- proven cycle stability
- injection molded frame elements
- special SMA material specifications
- high temperature FRP
- self-sensing capability



... individual design

- substrate (metals, polymers)
- size
- deflection
- load / cycles
- wire material / temperatures
- electrical resistance



... customized mechanical fixation

- adhesive films
- liquid adhesives
- bolts, rivets, screws
- plug-on

... various electrical connection

- crimping
- soldering
- plugging in
- welding



© CompActive GmbH