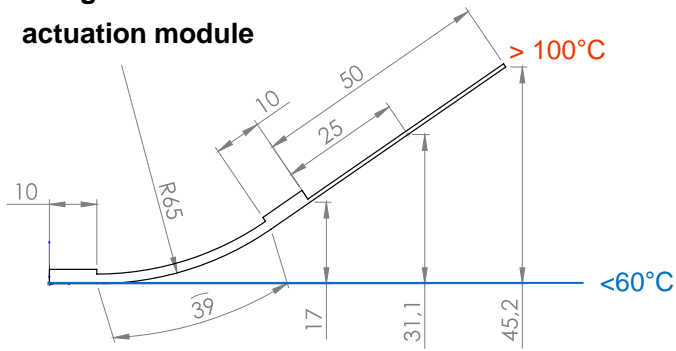


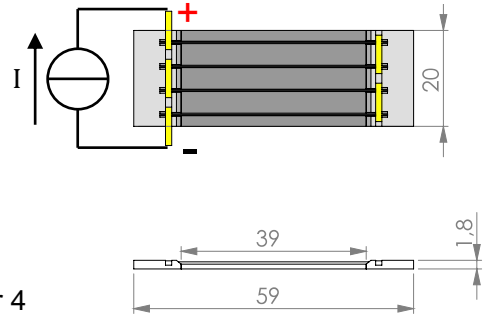
# Datasheet Actuation Module: *Curve*® plugged 3920H

- Active length: **39 mm**
  - Module size: **59 mm x 20 mm x 1.8 mm**
  - Bending: **high (H)**
  - Module weight: **2.3 g**
- 
- Example hosting structure: stainless steel 0.35 mm
  - Load range with minor reduction of deflection and high cycling stability (>200 000)
    - at module edge: 162 g
    - at 25 mm: 107 g
    - at 50 mm: 80 g
- 
- Operating mode: **plugged**
  - Thermal activation by: resistive heating
  - Electronic circuit: all wires in series
  - Resistivity: 0.8 Ohm
  - Full Activation (DC): e.g. 3 A for 15 s / 4 A for 4

## Hosting structure and actuation module



## Actuation module



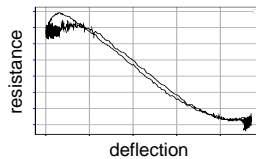
© CompActive GmbH

All values are only estimations!

# Customized high performance actuation modules by ...

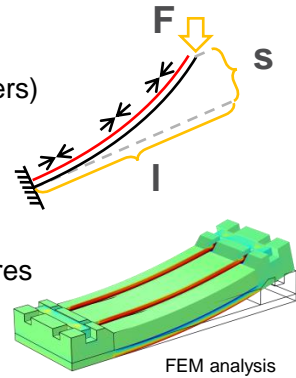
## ... high-tech solutions

- reliable load transfer
- proven cycle stability
- injection molded frame elements
- special SMA material specifications
- high temperature FRP
- self-sensing capability



## ... individual design

- substrate (metals, polymers)
- size
- deflection
- load / cycles
- wire material / temperatures
- electrical resistance



## ... customized mechanical fixation

- adhesive films
- liquid adhesives
- bolts, rivets, screws
- plug-on

## ... various electrical connection

- crimping
- soldering
- plugging in
- welding



© CompActive GmbH