

Datasheet Actuation Module: *Curve*® unplugged 2930E20

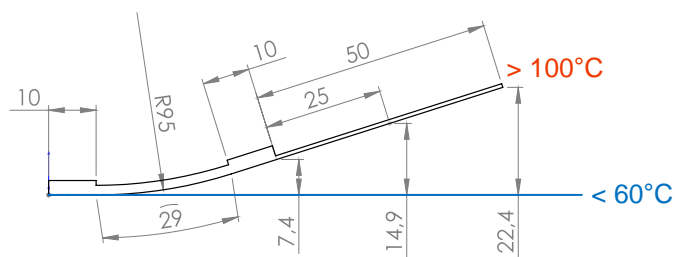
- Active length: **29 mm**
- Module size: **49 mm x 30 mm x 2.5 mm**
- Bending: **medium (E20)**
- Module weight: **4.4 g**

- Example hosting structure: stainless steel 0.45 mm
- Load range with high cycling stability (> 300.000)

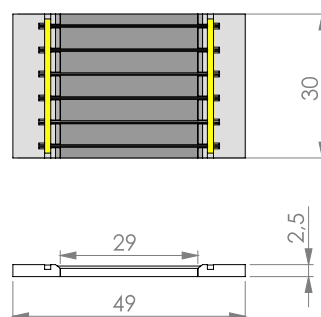
at module edge:	1340 g
at 25 mm:	820 g
at 50 mm:	590 g

- Operating mode: **unplugged**
- Thermal activation by: external heating
- Possible external heating: convection, radiation, conduction
- Maximum temperature: **130°C permanent**
>150°C short-term

Hosting structure and actuation module



Actuation module



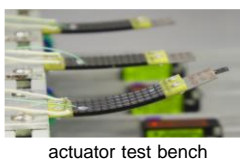
© CompActive GmbH

All values are only estimations!

Customized high performance actuation modules by ...

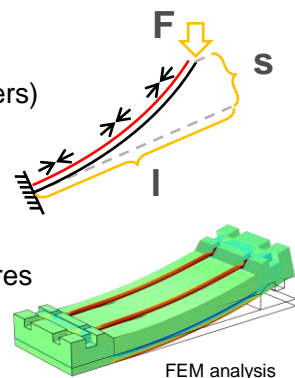
... high-tech solutions

- reliable load transfer
- proven cycle stability
- injection molded frame elements
- special SMA material specifications
- high temperature FRP
- self-sensing capability



... individual design

- substrate (metals, polymers)
- size
- deflection
- load / cycles
- wire material / temperatures
- electrical resistance



... customized mechanical fixation

- adhesive films
- liquid adhesives
- bolts, rivets, screws
- plug-on

... various electrical connection

- crimping
- soldering
- plugging in
- welding



© CompActive GmbH