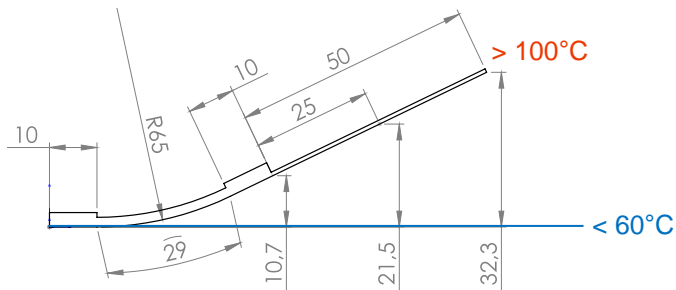


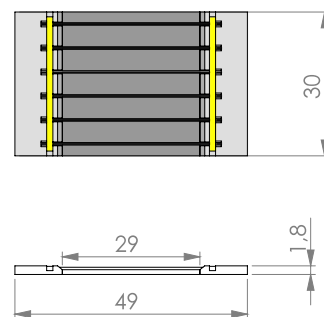
# Datasheet Actuation Module: *Curve*® unplugged 2930E10

- Active length: **29 mm**
- Module size: **49 mm x 30 mm x 1.8 mm**
- Bending: **high (E10)**
- Module weight: **3.0 g**
- Example hosting structure: stainless steel 0.35 mm
- Load range with high cycling stability (> 300.000)
  - at module edge: **610 g**
  - at 25 mm: **370 g**
  - at 50 mm: **270 g**

## Hosting structure and actuation module



## Actuation module



- Operating mode: **unplugged**
- Thermal activation by: **external heating**
- Possible external heating: **convection, radiation, conduction**
- Maximum temperature:
  - 130°C permanent**
  - >150°C short-term**

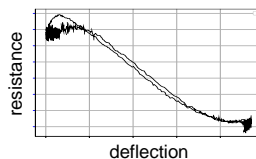
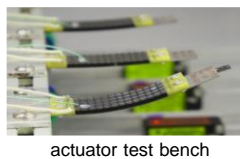
© CompActive GmbH

All values are only estimations!

# Customized high performance actuation modules by ...

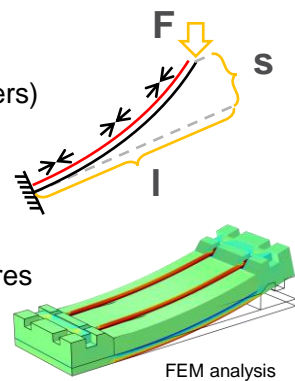
## ... high-tech solutions

- reliable load transfer
- proven cycle stability
- injection molded frame elements
- special SMA material specifications
- high temperature FRP
- self-sensing capability



## ... individual design

- substrate (metals, polymers)
- size
- deflection
- load / cycles
- wire material / temperatures
- electrical resistance

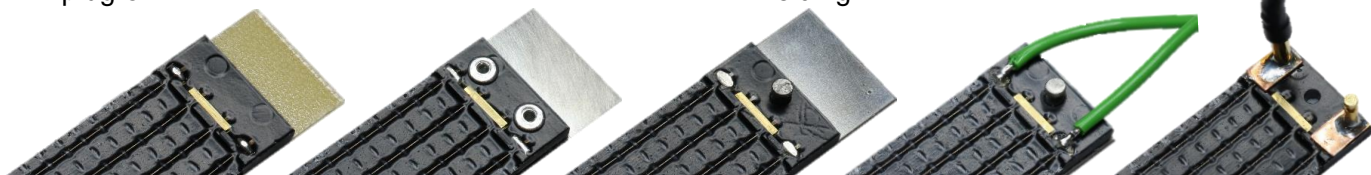


## ... customized mechanical fixation

- adhesive films
- liquid adhesives
- bolts, rivets, screws
- plug-on

## ... various electrical connection

- crimping
- soldering
- plugging in
- welding



© CompActive GmbH