

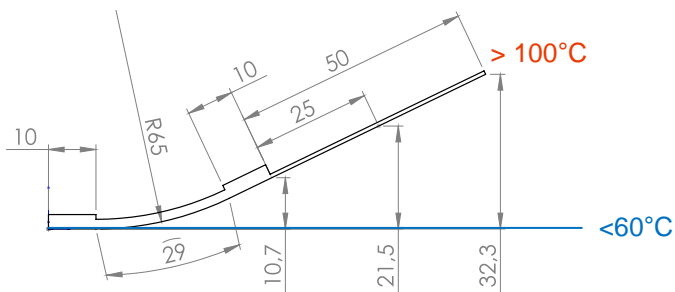
Datasheet Actuation Module: *Curve*® unplugged 2920H



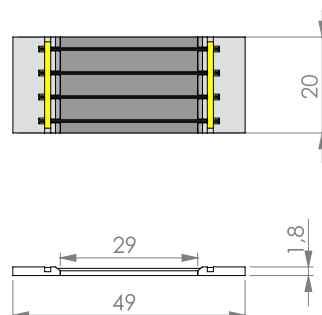
- Active length: **29 mm**
 - Module size: **49 mm x 20 mm x 1.8 mm**
 - Bending: **high (H)**
 - Module weight: **2.0 g**
-
- Example hosting structure: stainless steel 0.35 mm
 - Load range with minor reduction of deflection and high cycling stability (>200 000)

at module edge:	203 g
at 25 mm:	124 g
at 50 mm:	89 g
-
- Operating mode: ***unplugged***
 - Thermal activation by: external heating
 - Possible external heating: convection, radiation, conduction
 - Maximum temperature: **130°C**

Hosting structure and actuation module



Actuation module



© CompActive GmbH

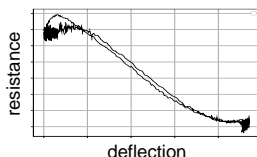
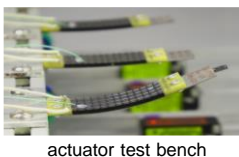
All values are only estimations!

Customized high performance actuation modules by ...



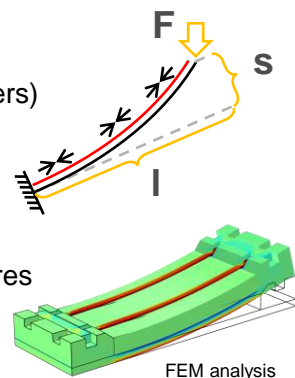
... high-tech solutions

- reliable load transfer
- proven cycle stability
- injection molded frame elements
- special SMA material specifications
- high temperature FRP
- self-sensing capability



... individual design

- substrate (metals, polymers)
- size
- deflection
- load / cycles
- wire material / temperatures
- electrical resistance



... customized mechanical fixation

- adhesive films
- liquid adhesives
- bolts, rivets, screws
- plug-on

... various electrical connection

- crimping
- soldering
- plugging in
- welding



© CompActive GmbH