

# Datasheet Actuation Module: *Curve*® plugged 2930E20

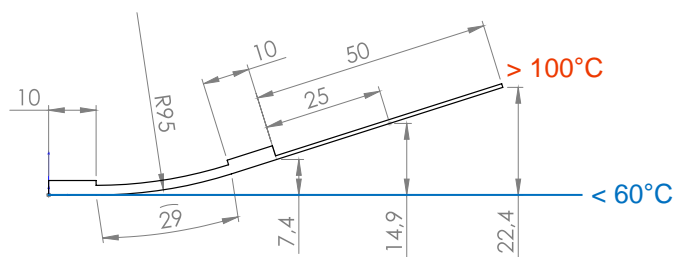
- Active length: **29 mm**
- Module size: **49 mm x 30 mm x 2.5 mm**
- Bending: **medium (E20)**
- Module weight: **4.4 g**

- Example hosting structure: stainless steel 0.45 mm
- Load range with high cycling stability (> 300.000)

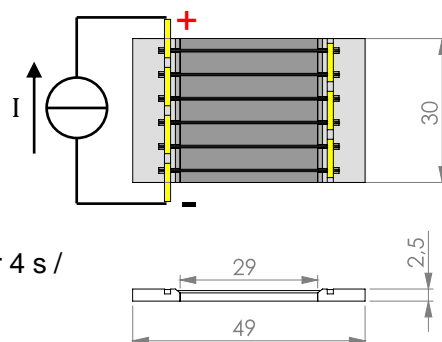
at module edge:	1340 g
at 25 mm:	820 g
at 50 mm:	590 g

- Operating mode: **plugged**
- Thermal activation by: **resistive heating**
- Electronic circuit: **all wires in series**
- Resistivity: **0.9 Ohm**
- Full Activation (DC): **e.g. 3 A for 15 s / 4 A for 4 s / 5 A for 1.3 s**

## Hosting structure and actuation module



## Actuation module



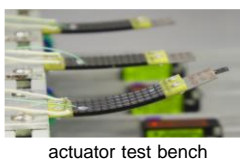
© CompActive GmbH

All values are only estimations!

# Customized high performance actuation modules by ...

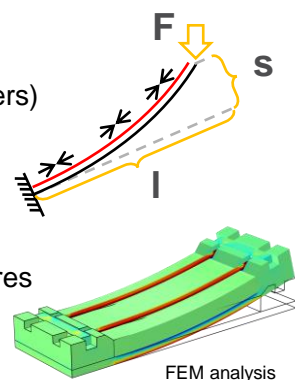
## ... high-tech solutions

- reliable load transfer
- proven cycle stability
- injection molded frame elements
- special SMA material specifications
- high temperature FRP
- self-sensing capability



## ... individual design

- substrate (metals, polymers)
- size
- deflection
- load / cycles
- wire material / temperatures
- electrical resistance



## ... customized mechanical fixation

- adhesive films
- liquid adhesives
- bolts, rivets, screws
- plug-on

## ... various electrical connection

- crimping
- soldering
- plugging in
- welding



© CompActive GmbH