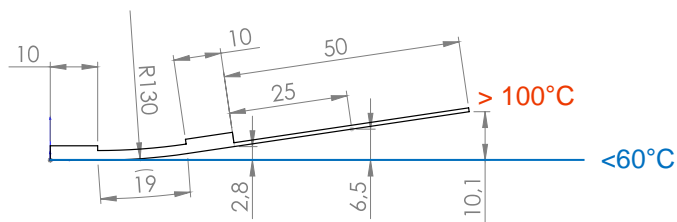


Datasheet Actuation Module: *Curve*® *plugged 1930L*

- Active length: **19 mm**
- Module size: **39 mm x 30 mm x 3.3 mm**
- Bending: **low (L)**
- Module weight: **5.5 g**

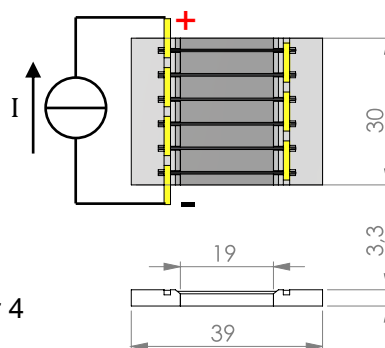
Hosting structure and actuation module



- Example hosting structure: stainless steel 0.55 mm
- Load range with minor reduction of deflection and high cycling stability (>200 000)

at module edge:	768 g
at 25 mm:	413 g
at 50 mm:	282 g

Actuation module



- Operating mode: ***plugged***
- Thermal activation by: resistive heating
- Electronic circuit: all wires in series
- Resistivity: 0.6 Ohm
- Full Activation (DC): e.g. 3 A for 15 s / 4 A for 4

© CompActive GmbH

All values are only estimations!

Customized high performance actuation modules by ...

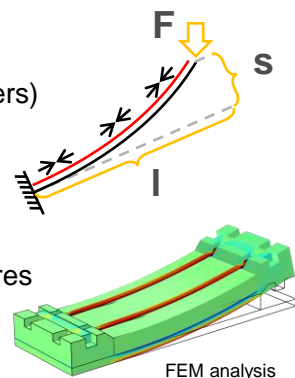
... high-tech solutions

- reliable load transfer
- proven cycle stability
- injection molded frame elements
- special SMA material specifications
- high temperature FRP
- self-sensing capability



... individual design

- substrate (metals, polymers)
- size
- deflection
- load / cycles
- wire material / temperatures
- electrical resistance



... customized mechanical fixation

- adhesive films
- liquid adhesives
- bolts, rivets, screws
- plug-on

... various electrical connection

- crimping
- soldering
- plugging in
- welding



© CompActive GmbH