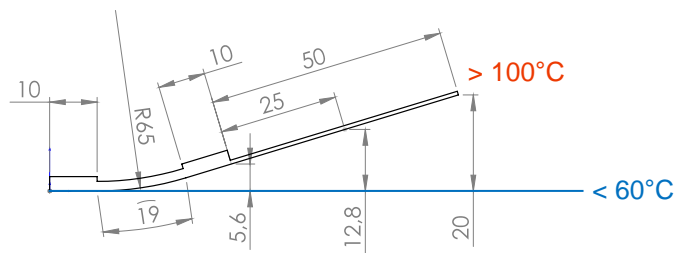


Datasheet Actuation Module: *Curve*® plugged 1930E10



- Active length: **19 mm**
- Module size: **39 mm x 30 mm x 1.8 mm**
- Bending: **high (E10)**
- Module weight: **2.6 g**

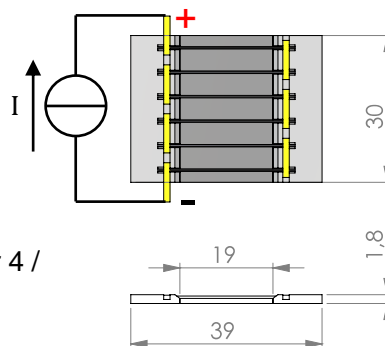
Hosting structure and actuation module



- Example hosting structure: stainless steel 0.35 mm
- Load range with high cycling stability (> 300.000)

at module edge:	820 g
at 25 mm:	440 g
at 50 mm:	300 g

Actuation module



- Operating mode: **plugged**
- Thermal activation by: **resistive heating**
- Electronic circuit: **all wires in series**
- Resistivity: **0.6 Ohm**
- Full Activation (DC): **e.g. 3 A for 15 s / 4 A for 4 / 5 A for 1.3 s**

© CompActive GmbH

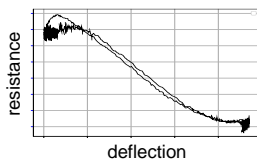
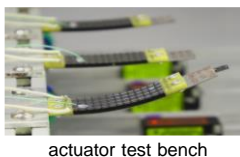
All values are only estimations!

Customized high performance actuation modules by ...



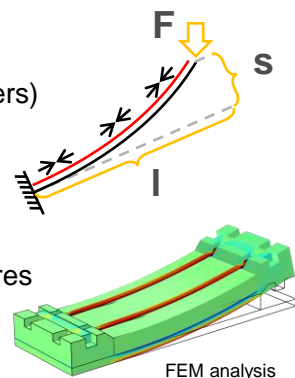
... high-tech solutions

- reliable load transfer
- proven cycle stability
- injection molded frame elements
- special SMA material specifications
- high temperature FRP
- self-sensing capability



... individual design

- substrate (metals, polymers)
- size
- deflection
- load / cycles
- wire material / temperatures
- electrical resistance



... customized mechanical fixation

- adhesive films
- liquid adhesives
- bolts, rivets, screws
- plug-on

... various electrical connection

- crimping
- soldering
- plugging in
- welding



© CompActive GmbH