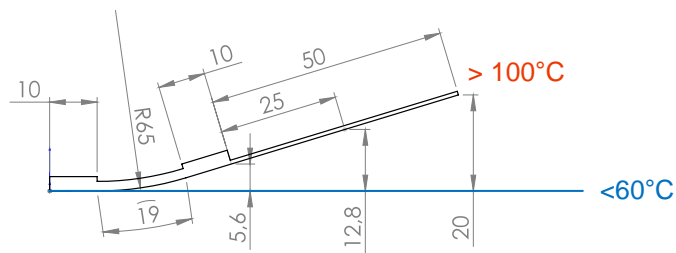


# Datasheet Actuation Module: *Curve*® *plugged 1920H*



- Active length: **19 mm**
- Module size: **39 mm x 20 mm x 1.8 mm**
- Bending: **high (H)**
- Module weight: **1.7 g**

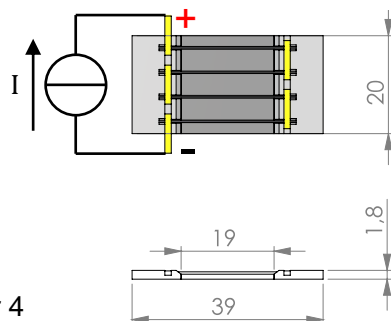
## Hosting structure and actuation module



- Example hosting structure: stainless steel 0.35 mm
- Load range with minor reduction of deflection and high cycling stability (>200 000)

at module edge:	273 g
at 25 mm:	147 g
at 50 mm:	100 g

## Actuation module



- Operating mode: **plugged**
- Thermal activation by: resistive heating
- Electronic circuit: all wires in series
- Resistivity: 0.4 Ohm
- Full Activation (DC): e.g. 3 A for 15 s / 4 A for 4

© CompActive GmbH

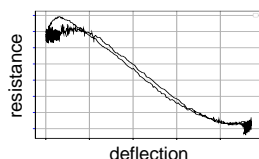
All values are only estimations!

## Customized high performance actuation modules by ...



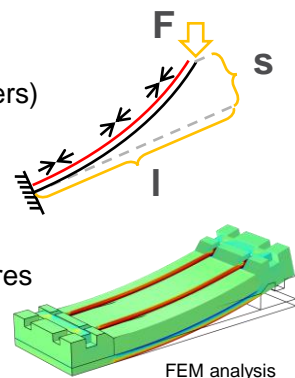
### ... high-tech solutions

- reliable load transfer
- proven cycle stability
- injection molded frame elements
- special SMA material specifications
- high temperature FRP
- self-sensing capability



### ... individual design

- substrate (metals, polymers)
- size
- deflection
- load / cycles
- wire material / temperatures
- electrical resistance



### ... customized mechanical fixation

- adhesive films
- liquid adhesives
- bolts, rivets, screws
- plug-on

### ... various electrical connection

- crimping
- soldering
- plugging in
- welding



© CompActive GmbH

www.CompActive.de

www.CompActive.de