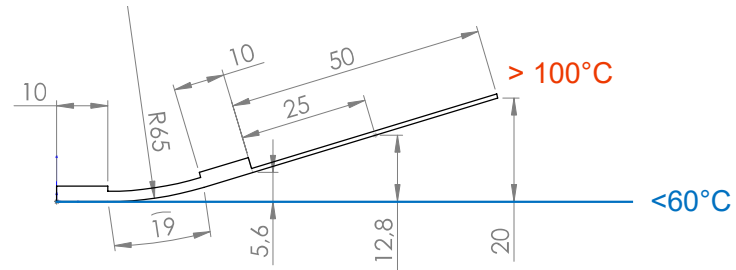


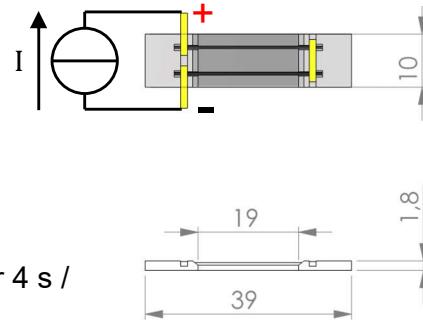
# Datasheet Actuation Module: *Curve*® plugged 1910E10

- Active length: 19 mm
- Module size: 39 mm x 10 mm x 1.8 mm
- Bending: high (E10)
- Module weight: 0.8 g
- Example hosting structure: stainless steel 0.35 mm
- Load range with high cycling stability (> 300.000)
  - at module edge: 270 g
  - at 25 mm: 150 g
  - at 50 mm: 100 g

## Hosting structure and actuation module



## Actuation module



- Operating mode: **plugged**
- Thermal activation by: resistive heating
- Electronic circuit: all wires in series
- Resistivity: 0.2 Ohm
- Full Activation (DC): e.g. 3 A for 15 s / 4 A for 4 s / 5 A for 1.3 s

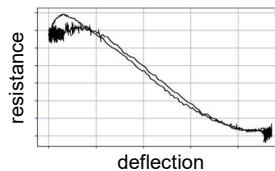
© CompActive GmbH

All values are only estimations!

## Customized high performance actuation modules by ...

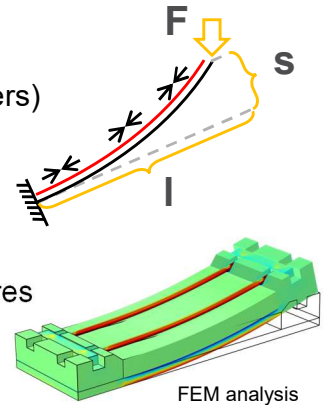
### ... high-tech solutions

- reliable load transfer
- proven cycle stability
- injection molded frame elements
- special SMA material specifications
- high temperature FRP
- self-sensing capability



### ... individual design

- substrate (metals, polymers)
- size
- deflection
- load / cycles
- wire material / temperatures
- electrical resistance



### ... customized mechanical fixation

- adhesive films
- liquid adhesives
- bolts, rivets, screws
- plug-on

### ... various electrical connection

- crimping
- soldering
- plugging in
- welding



© CompActive GmbH