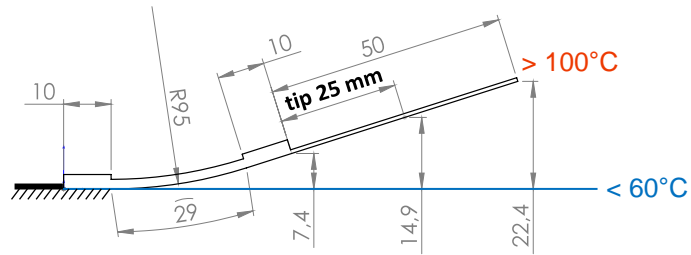


# Datasheet Actuator: *Curve*® unplugged A2950E20

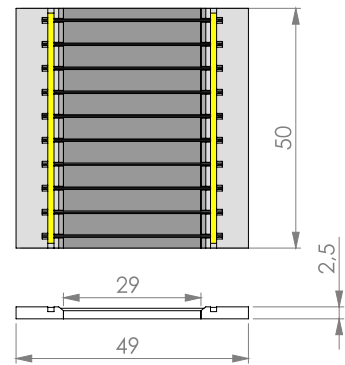
- Active length: **29 mm**
- Module size: 49 mm x **50 mm** x 2.5 mm
- Bending: medium (**E20**)
- Weight: 7.3 g + hosting structure
- Hosting structure: steel + rivets, **tip 25 mm**  
size 84 x 50 x 0.45 mm<sup>3</sup>
- Load range with high cycling stability (> 300.000)
  - at module edge: 2240 g
  - at 25 mm: 1360 g**
  - at 50 mm: 980 g

## Actuator A2950E20



**M2950E20 – Actuator Module only**

- Operating mode: **unplugged**
- Thermal activation by: external heating
- Possible external heating: convection, radiation, conduction
- Maximum temperature: 130°C (permanent)  
>150°C (short-term)



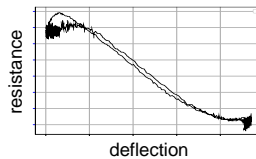
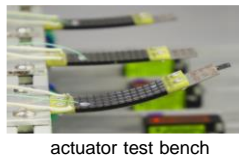
© CompActive GmbH

All values are only estimations!

## Customized, high-performance actuators by ...

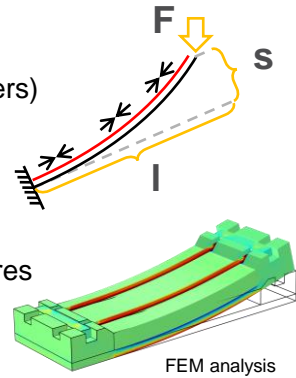
### ... high-tech solutions

- reliable load transfer
- proven cycle stability
- injection molded frame elements
- special SMA material specifications
- high temperature FRP
- self-sensing capability



### ... individual design

- substrate (metals, polymers)
- size
- deflection
- load / cycles
- wire material / temperatures
- electrical resistance



### ... customized mechanical fixation

- adhesive films
- liquid adhesives
- bolts, rivets, screws
- plug-on

### ... various electrical connection

- crimping
- soldering
- plugging in
- welding



© CompActive GmbH