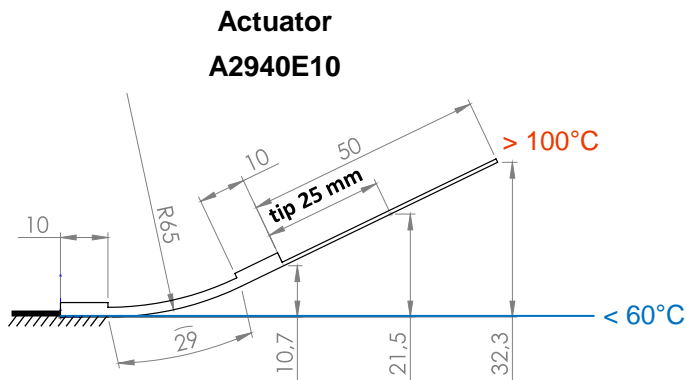


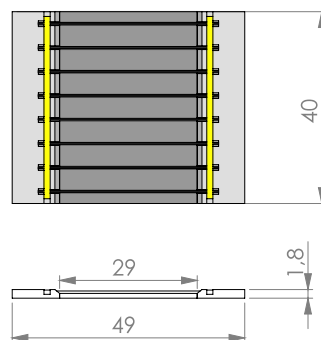
# Datasheet Actuator: *Curve*® unplugged A2940E10

- Active length: **29 mm**
- Module size: **49 mm x 40 mm x 1.8 mm**
- Bending: **high (E10)**
- Weight: **4.0 g + hosting structure**
- Hosting structure: **steel + rivets, tip 25 mm**  
size 84 x 40 x 0.35 mm<sup>3</sup>
- Load range with high cycling stability (> 300.000)
  - at module edge: **820 g**
  - at 25 mm: **500 g**
  - at 50 mm: **360 g**



**M2940E10 – Actuator Module only**

- Operating mode: **unplugged**
- Thermal activation by: **external heating**
- Possible external heating: **convection, radiation, conduction**
- Maximum temperature: **130°C (permanent)**  
**>150°C (short-term)**



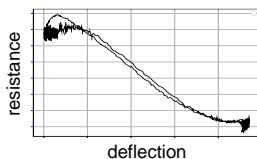
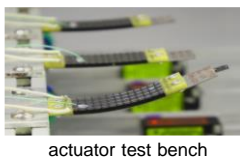
© CompActive GmbH

All values are only estimations!

## Customized, high-performance actuators by ...

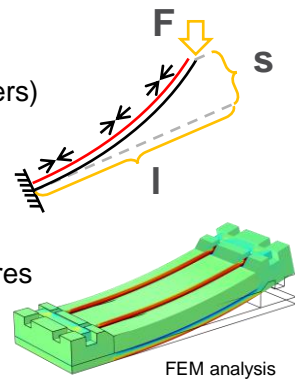
### ... high-tech solutions

- reliable load transfer
- proven cycle stability
- injection molded frame elements
- special SMA material specifications
- high temperature FRP
- self-sensing capability



### ... individual design

- substrate (metals, polymers)
- size
- deflection
- load / cycles
- wire material / temperatures
- electrical resistance



### ... customized mechanical fixation

- adhesive films
- liquid adhesives
- bolts, rivets, screws
- plug-on

### ... various electrical connection

- crimping
- soldering
- plugging in
- welding



© CompActive GmbH